

IEEE1394.b XGA monochrome camera

KP-F80F

Outline

KP-FD80F is high-resolution progressive scan camera corresponding to IEEE1394.b with 1/3-inch full pixel read out CCD



Main Features

XGA, progressive scan high speed read out

This camera output high resolution image with 30 frames per second using effective pixels 1034(H)x779(V) and square lattices.

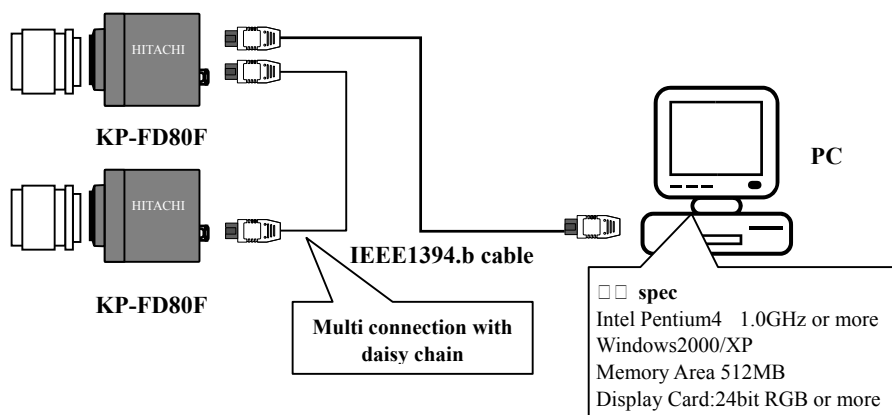
Supported IEEE1394.b

Since supported IEEE1394.b interface, direct PC connection with a thinner cable than a parallel output possible. Multi camera connection is possible by daisy chain.

Various functions

- Electronic shutter
- External sync
- Trigger
- Daisy chain
- Remote control

<Connection example>



Specifications

Imaging sensor	1/3-inch interline CCD
Effective pixel	1034(H)×779(V)
Unit cell size	4.65(H)×4.65(V)μm square size
Scanning system	Progressive scan
Sync system	Internal/external
Protocol	IEEE1394.b IIDC
Data format	Raw8□Raw16
Power	DC12V Approx. 3.8W
Dimension	44(W)×44(H)×54(D)mm
Mass	Approx. 130g

Suggested

Industrial automation, traffic surveillance, image processing etc.

Please read a product specification for details.

These specifications are subject to change without prior notice due to product improvement.



Hitachi Kokusai Electric Inc.

Head Office

:14-20,Higashi-Nakano 3-choume, Nakano-ku, Tokyo 164-8511, Japan
 Phone : +81(0) 3-3368-6111, Fax : +81(0) 3-3365-9119
 URL : <http://www.h-kokusai.com>